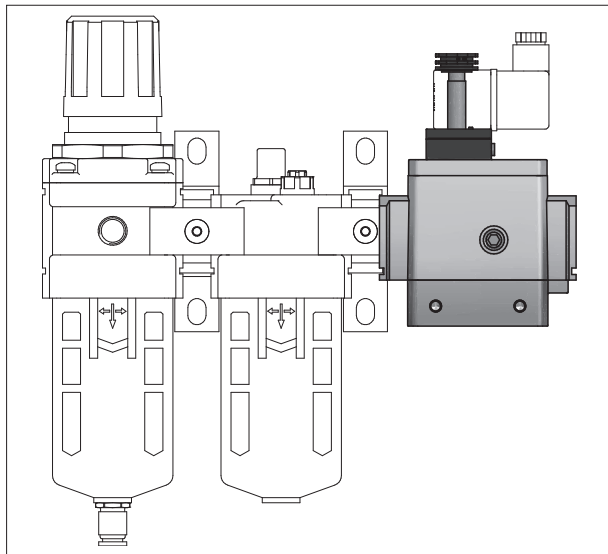


Standard executions			
Version	Symbol	Type	Item
Electric 1/4		090231	AVP14E
Electric 3/8		090232	AVP38E
Electric 1/2		090233	AVP12E
Pneumatic 1/4		090247	AVP14P
Pneumatic 3/8		090248	AVP38P
Pneumatic 1/2		090249	AVP12P



Soft/start valve, for progressive pressurizing the pneumatic lines when switch on.

Is indicated as safety valve, to quickly exhaust the downstream circuit.

- Manual override;
- Exhausting function;
- Low consumption;
- Modular assembly with airline equipment.

For airline equipment see page 3.2.1

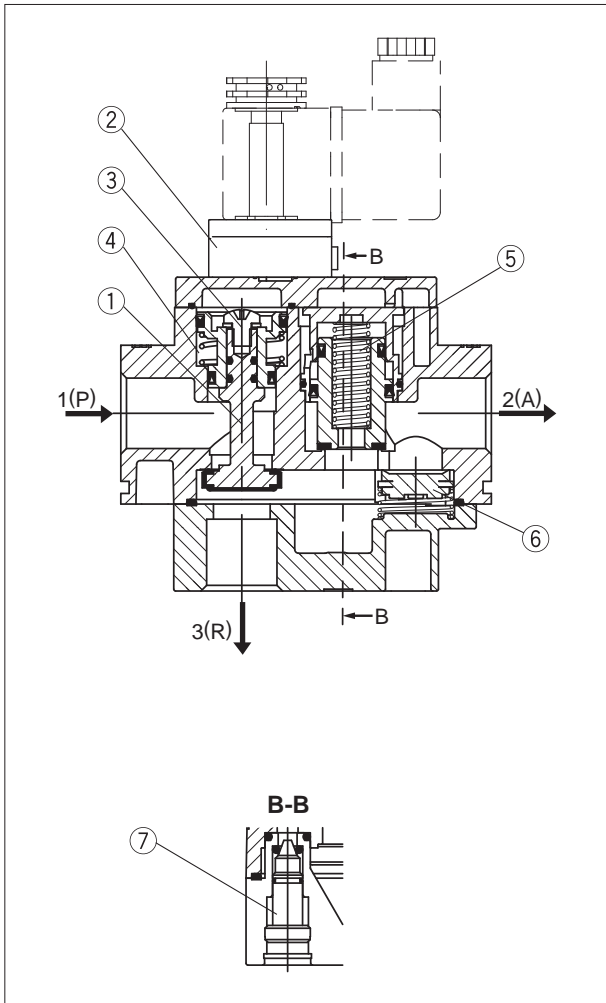
For coils type ASA12... see page 2.200.1

For connector type A122... see page 2.210.20

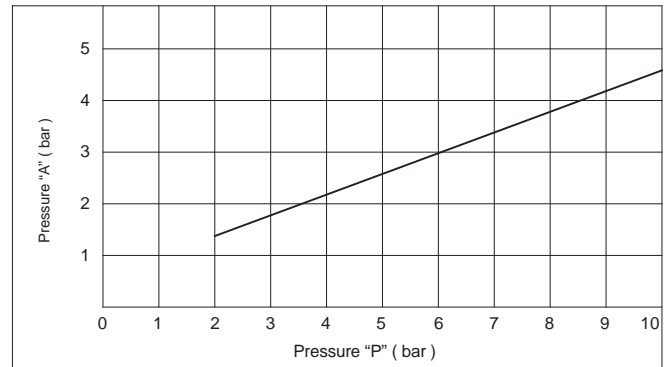
Pressure gauges to be ordered separately, see page 3.50.1

For accessories, assembly kits and spare parts see page 3.5.1

Technical data				
Fluid	Compressed air			
Maximum pressure	15 bar			
Regulation range	0,2 ÷ 10 bar			
Temperature range	0 ÷ 60 °C			
Size	1/4"	3/8"	1/2"	
Section	1 (P) → 2(A)	20 mm ²	37 mm ²	61 mm ²
	2 (A) → 3(R)	24 mm ²	49 mm ²	76 mm ²
Gauges mountings	1/8"	1/8"	1/8"	
Manual Override	Spring return			
Materials	Body:	Painted aluminium		
	Cover	Painted aluminium		
	End cover	Painted aluminium		
	Piston guide	POM / NBR		
	Seals	NBR		
	Internal parts	Brass / NBR		
	Springs	Stainless steel		



Pressure in the start-up phase of the valve



OPERATING CONDITIONS

Start-up phase

By actuating electro-pilot or pneumatic-pilot (2) (or the manual override), piloting air will push the poppet (1) down opening this way the main power valve and at the same time, closing the exhaust (R).

Air from inlet (P) will go through the regulation needle (7) and out to (A).

Opening speed can be adjustable by the side screw.

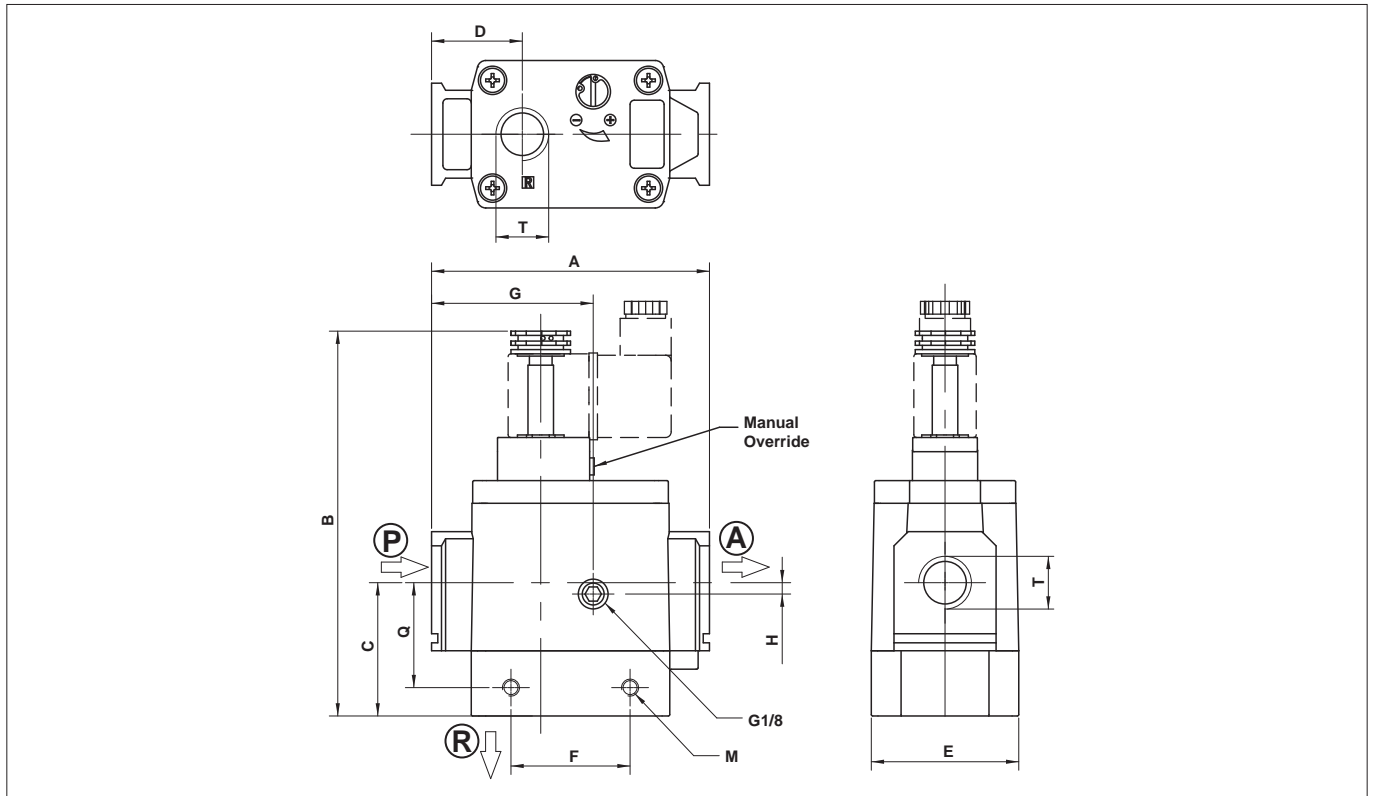
Switching and working phase

In the moment the pressure difference between (P) and (A) is $(A) \geq \frac{1}{2} (P)$ the poppet (5) fully open and outlet pressure (A) rapidly increase until equalize inlet one at (P).

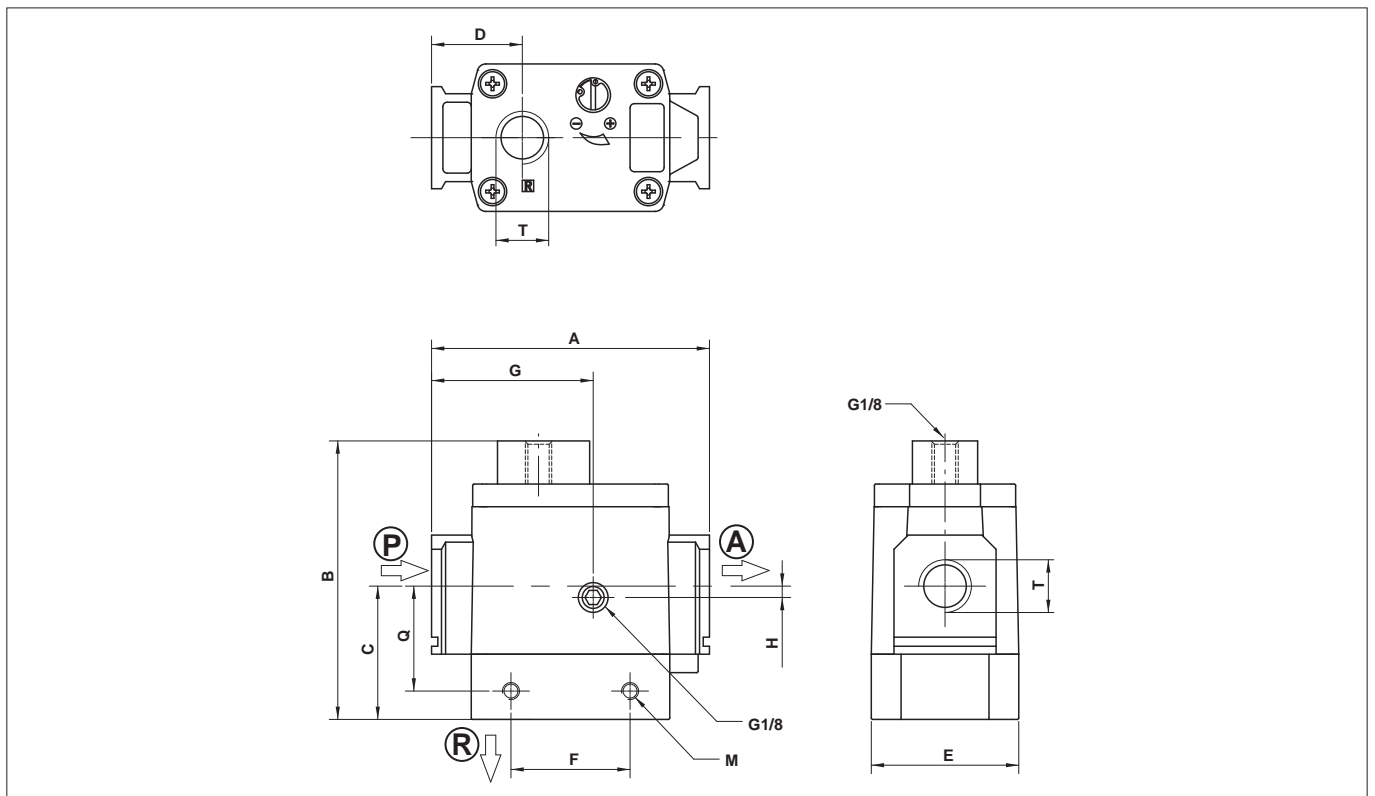
Soft-start valve will not represent any obstacle for the air-flow going through it.

Closing and exhausting phase

By deactivating electro-pilot or pneumatic pilot (2) (or the manual override), the poppet (1) will reposition stopping the air from inlet (P) and contemporary exhaust the downstream air in the circuit from (R).



Code	Item	Size	A	B	C	D	E	G	H	F	Q	M	T
090231	AVP14E	1/4	66	114	31	22	40	38	0	29	23,5	M4	1/4"
090232	AVP38E	3/8	76	131	36	24	48	43	2	28	27,5	M5	3/8"
090233	AVP12E	1/2	98	146	47	32	52	57	3	42	42	M6	1/2"



Code	Item	Size	A	B	C	D	E	G	H	F	Q	M	T
090247	AVP14P	1/4	66	75	31	22	40	38	0	29	23,5	M4	1/4"
090248	AVP38P	3/8	76	84	36	24	48	43	2	28	27,5	M5	3/8"
090249	AVP12P	1/2	98	90	47	32	52	57	3	42	42	M6	1/2"